

RHINO SAWYER 400XL

Latest generation thin cutting horizontal band-saw | **NEW MODEL**

Maximum capacity for precision thin cutting of wood **up to 400 mm with**, and cutting lamella from 2 mm thick. If you are looking for the combination of **maximum throughput** and **excellent flexibility**, the new XL series from Rhino Sawyer are the perfect choice.

This next generation thin cutting band-saw is now equipped with **bigger 970 mm wheels** and **standard inverter on the saw wheels**. Therefore, you have more flexibility in cutting speed. In addition, it enables precise and performance-optimized interaction between band saw blade and machine for cutting both hard and soft wood.



Thanks to their flexible design the 400 XL thin cutting band-saw offers **great performance** and is **flexible in sawing various sizes of wood**, up to 400 mm wide. We have also the 300XL range available, cutting up to 310 mm wide. Moreover, the XL series can be extended with up to 4 band saw modules.

Rhino thin-cutting horizontal bandsaw machines for wood are used in, for example, the **production of lamellas** starting with **2 mm thickness**. Besides, you can cut maximum material **400 wide x 300 mm high**.

NEW MODEL

EXTRA WIDE: 400 MM MATERIAL SIZE
BIGGER WHEELS: 38" (970 MM)

HIGH ACCURACY
HYDRAULIC BLADE
TENSION SYSTEM

OIL MIST
COOLING
SYSTEM



GET IN
CONTACT

+31 512-525090

woodworkingbandsaw.com

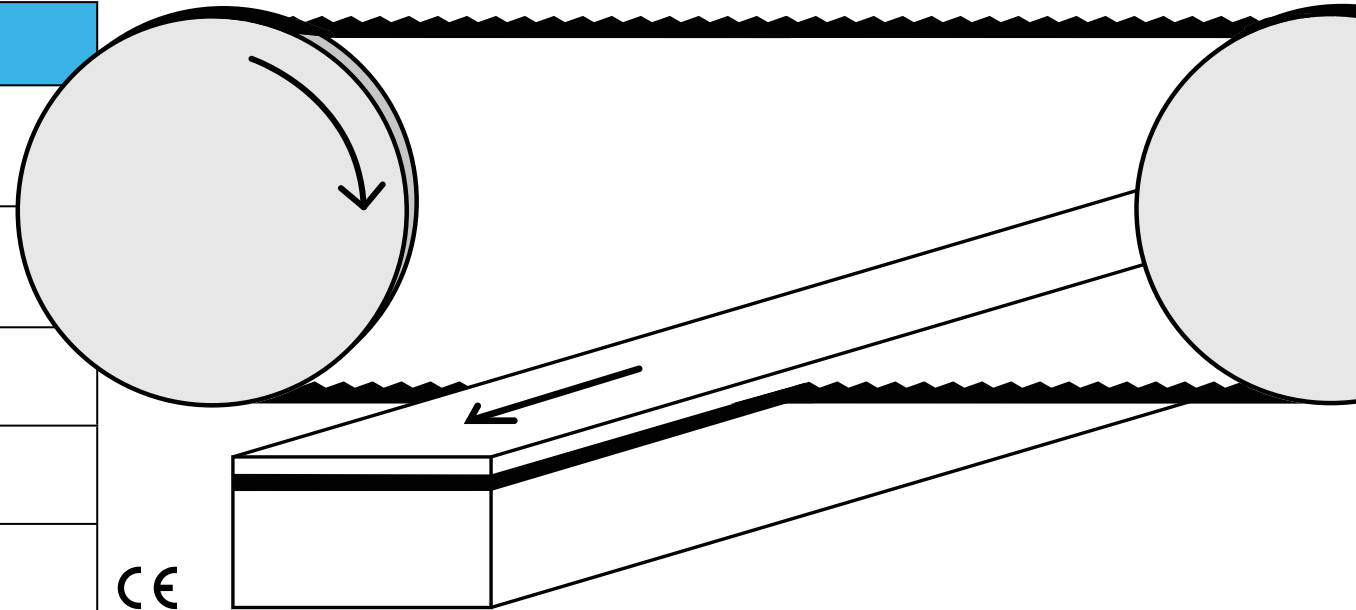
Rehomy BV, Drachten

The Netherlands

TECHNICAL
SPECIFICATIONS →

THE SAWYER 400XL | NEW MODEL | SPECIFICATIONS

| TECHNICAL DATA | | |
|--------------------------|-------------------------|-------------------------|
| MAXIMUM WORKPIECE | WIDTH 400 mm | HEIGHT 300 mm |
| SAW WHEEL | DIAMETER 38" | |
| INFEEED SPEED | 0-30 m/min | |
| SAW MOTORS | 22.0 KW in IE-3 version | |
| MINIMUM CUT PIECE | 2 mm | |



WITH **SCHNEIDER**
TOUCHSCREEN
FOR EASY SETTING



Operating the machine is all controlled from the **Schneider (made in Germany) touchscreen**, like setting thickness, feed speed and saw wheel speed.

Moreover, the 400XL thin cutting band-saw combines precision with great performance, for the production of lamellas as well as for any other thin-cutting request. **Like for example making:** engineered flooring, doors, windows and cladding.

GET IN
CONTACT

+31 512-525090

woodworkingbandsaw.com

Rehomy BV, Drachten
The Netherlands

BACK 